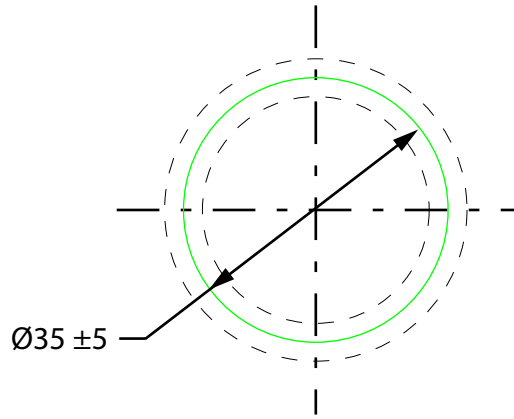
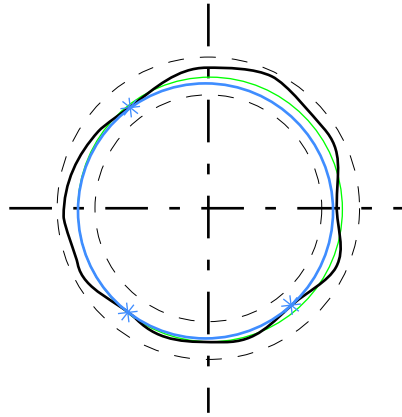


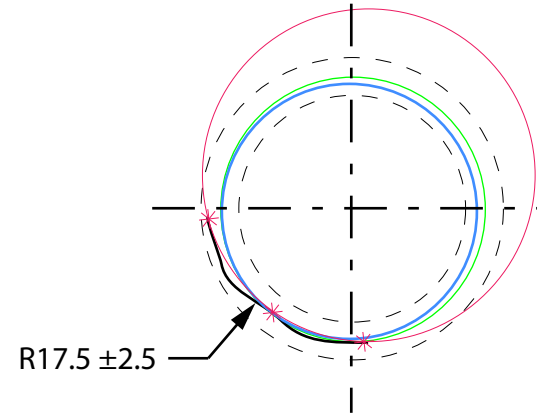
ORIGINAL SPECIFICATION



BLACK: ACTUAL HOLE  
BLUE: MAXIMUM INSCRIBED CYLINDER



QUARTER SEGMENT OF CYLINDER  
BLACK: ACTUAL SURFACE SEGMENT (1/4 CYL)  
BLUE: MAXIMUM INSCRIBED CYLINDER (PER FULL CYL)  
RED: CIRCLE ESTABLISHED BY 3-POINT CONTACT



ENG-TIPS  
THREAD #1103\_267281

J.Sykes 2010/03/16

**FOR REVIEW ONLY**

THIS MATERIAL CONTAINS PRELIMINARY INFORMATION  
WHICH IS PROVIDED FOR REVIEW PURPOSES ONLY.



$R17.5 \pm 2.5$   
SCALE 5:1

QUARTER SEGMENT OF CYLINDER  
BLACK: ACTUAL SURFACE SEGMENT (1/4 CYL)  
RED: CIRCLES ESTABLISHED BY 3-POINT CONTACT

