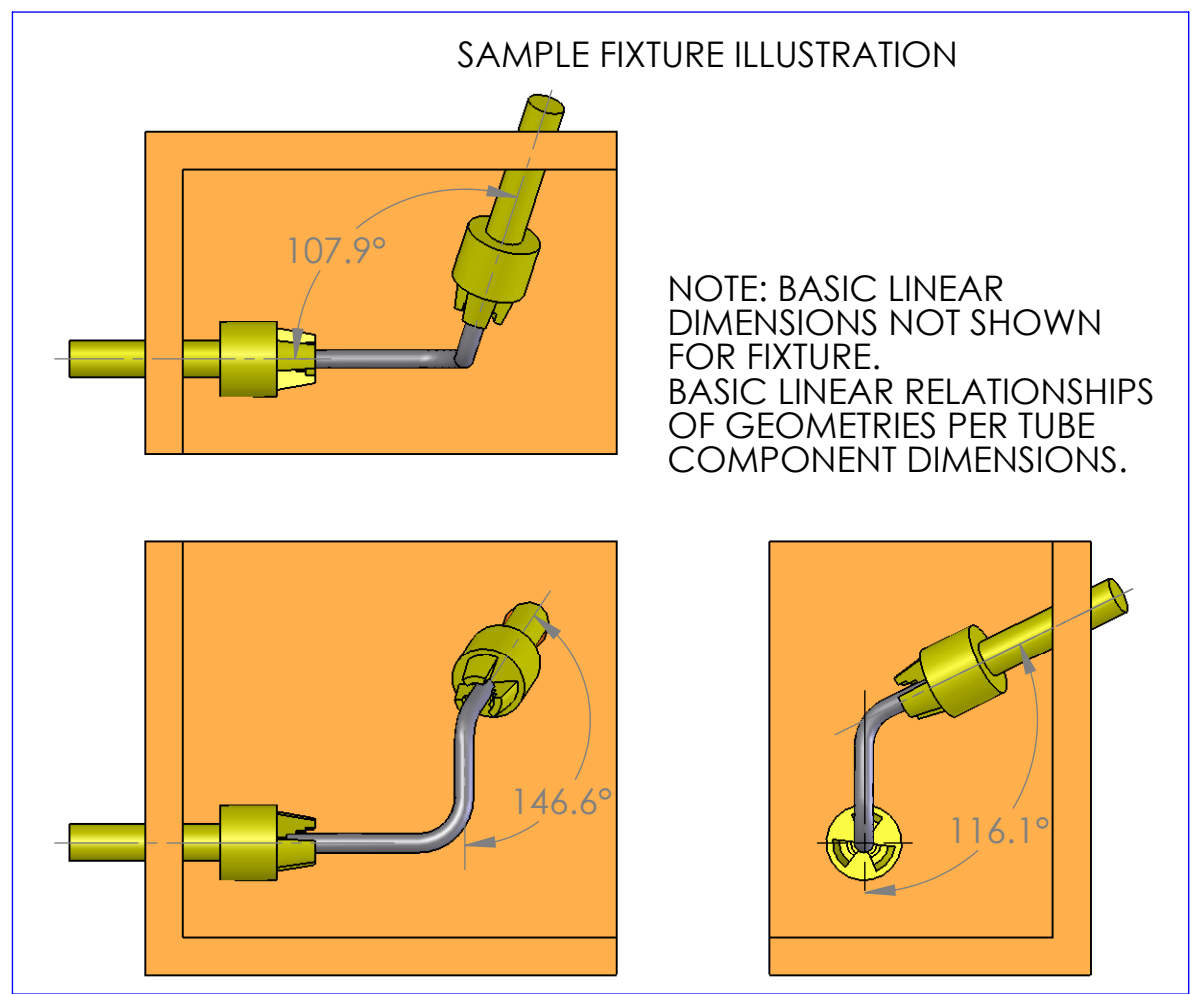
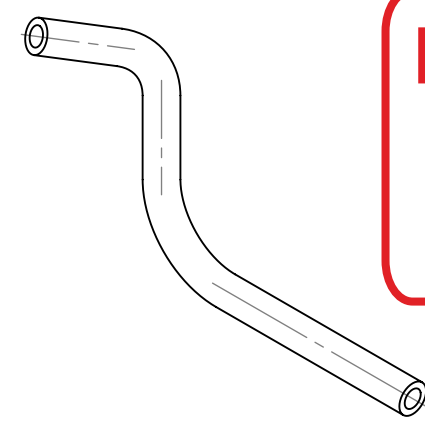
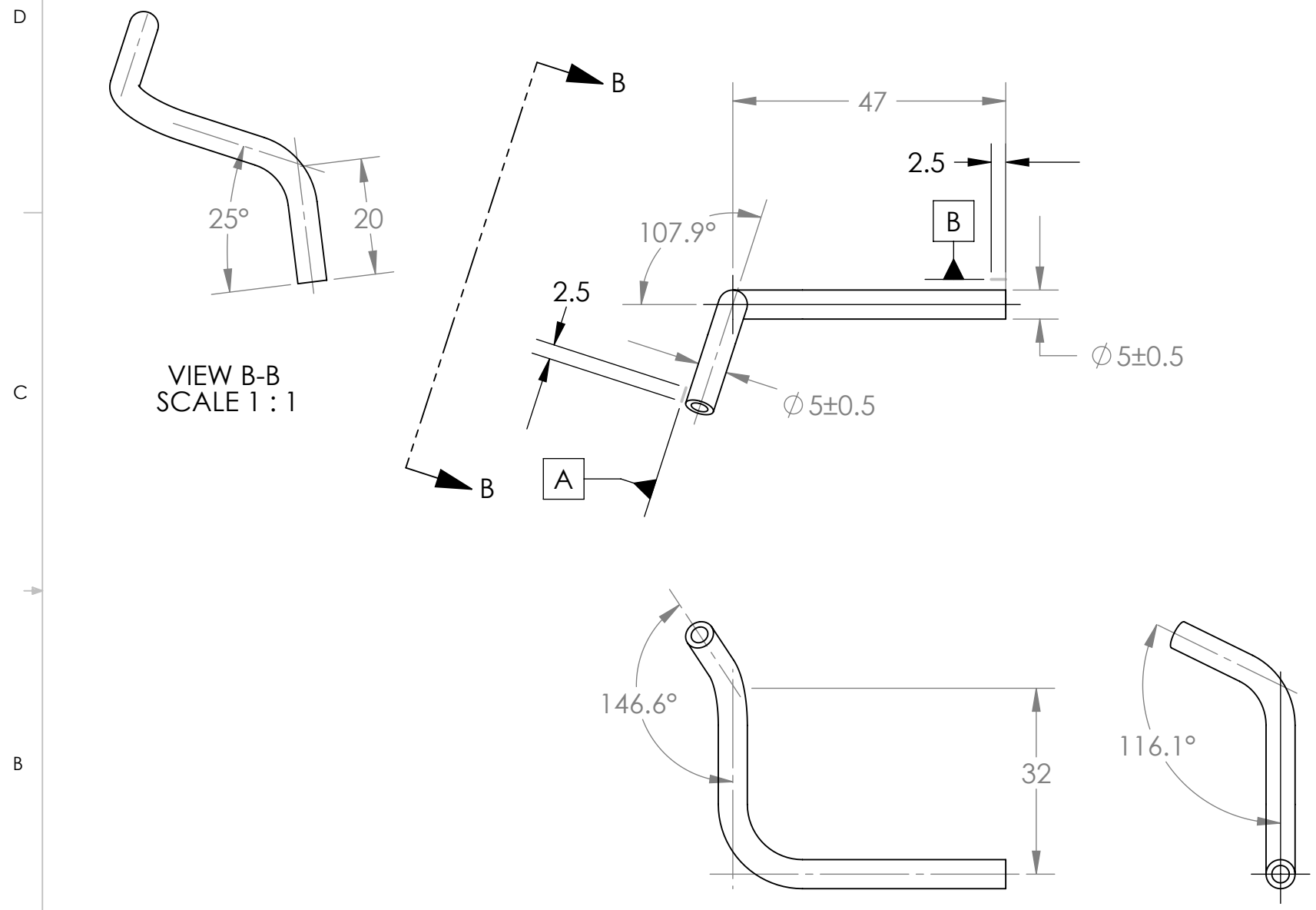


FOR REVIEW ONLY
 THIS MATERIAL CONTAINS PRELIMINARY INFORMATION
 WHICH IS PROVIDED FOR REVIEW PURPOSES ONLY.


REV 0
 DWG. NO. thd1103_237732

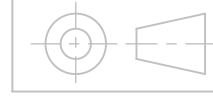


			DWN
			CKD
			DWN
			CKD
			DWN
			CKD
			DWN
			CKD
			DWN
			CKD
REV	DATE Y/M/D	DESCRIPTION	

UNLESS OTHERWISE SPECIFIED
 GD&T PER ASME Y14.5M-1994
 CAD MODEL IS BASIC

GENERAL TOLERANCE	∇ 0.25 A-B
TAP HOLES	\oplus ϕ N/A A-B
CHAMFERS	N/A \pm N/A X45°
FILLETS	RN/A \pm N/A
BREAK SHARP	RN/A \pm N/A OR N/A \pm N/A X45°
SHARP	RN/A MAX OR N/A X 45° MAX WITH NO BURR PERMISSIBLE

DIMENSIONS ARE IN MILLIMETERS
 DIMENSIONS IN SQUARE BRACKETS ARE IN INCHES [INCH]




PROPRIETARY AND CONFIDENTIAL
 THE INFORMATION CONTAINED IN THIS DRAWING IS THE SOLE PROPERTY OF PROFILE SERVICES. ANY REPRODUCTION IN PART OR AS A WHOLE WITHOUT THE WRITTEN PERMISSION OF PROFILE SERVICES IS PROHIBITED.

MATERIAL
 ENTER SPEC

FINISH
 ENTER SPEC

DO NOT SCALE DRAWING

 **Profile Services**

TITLE:
 Compound (Multiple) Datum Illustration

SIZE	DWG. NO.	REV
thd1103_237732	1103_237732	0
SCALE: 2:1	WEIGHT: N/A	SHEET 1 OF 1