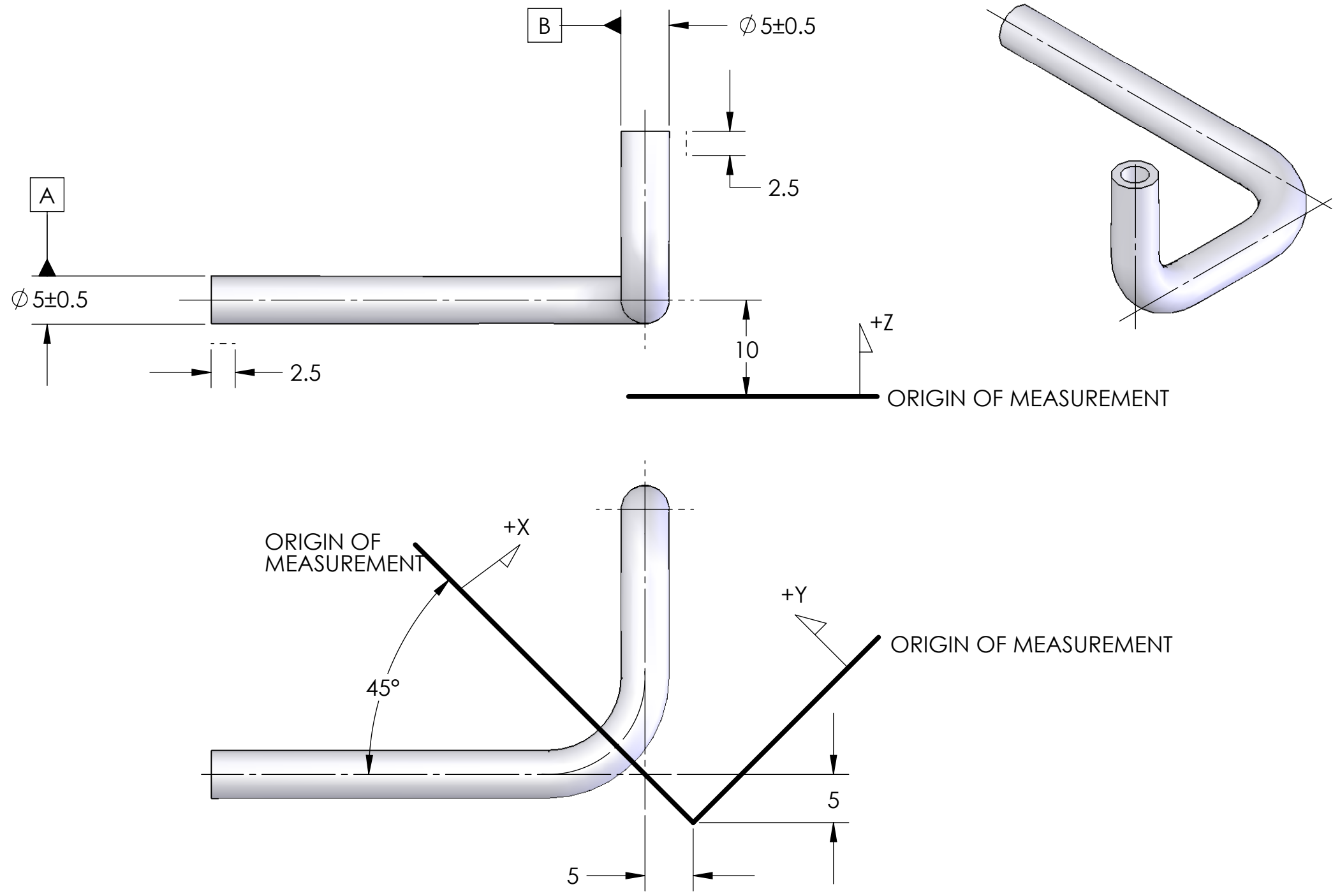


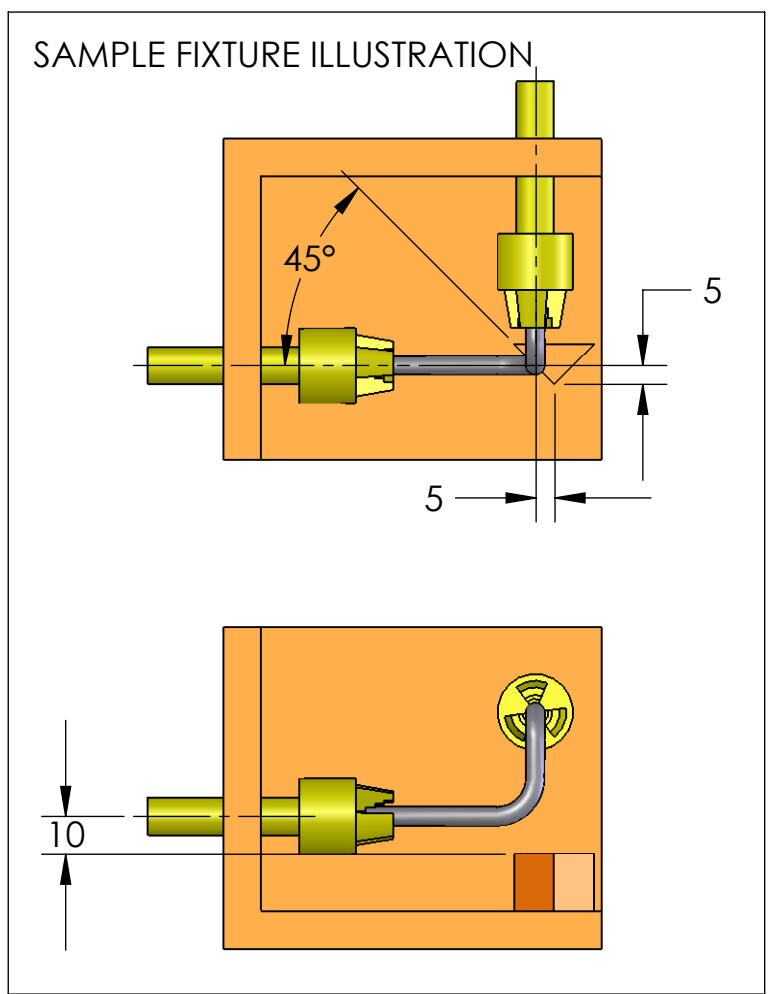
8 7 6 5 4 3 2 1

D  
C  
B  
A



**FOR REVIEW ONLY**  
THIS MATERIAL CONTAINS PRELIMINARY INFORMATION WHICH IS PROVIDED FOR REVIEW PURPOSES ONLY.  
**PROFILE SERVICES**

REV 0  
DWG. NO. thd1103\_235809



			DWN
			CKD
			DWN
			CKD
			DWN
			CKD
			DWN
			CKD
			DWN
			CKD
REV	DATE Y/M/D	DESCRIPTION	

UNLESS OTHERWISE SPECIFIED GD&T PER ASME Y14.5M-1994 CAD MODEL IS BASIC		DIMENSIONS ARE IN MILLIMETERS DIMENSIONS IN SQUARE BRACKETS ARE IN INCHES [INCH]	
GENERAL TOLERANCE			
TAP HOLES			
CHAMFERS	N/A ± N/A X45°		
FILLETS	RN/A ± N/A		
BREAK SHARP	RN/A ± N/A OR N/A ± N/A X45°		
SHARP	RN/A MAX OR N/A X 45° MAX WITH NO BURR PERMISSIBLE		

**PROPRIETARY AND CONFIDENTIAL**  
THE INFORMATION CONTAINED IN THIS DRAWING IS THE SOLE PROPERTY OF **PROFILE SERVICES**. ANY REPRODUCTION IN PART OR AS A WHOLE WITHOUT THE WRITTEN PERMISSION OF **PROFILE SERVICES** IS PROHIBITED.

MATERIAL  
ENTER SPEC

FINISH  
ENTER SPEC

**DO NOT SCALE DRAWING**

**Profile Services**

TITLE:  
**Compound (Multiple) Datum Illustration**

SIZE	DWG. NO.	REV
thd1103_235809	1103_235809	0

SCALE: 2:1    WEIGHT: N/A    SHEET 1 OF 1

8 7 6 5 4 3 2 1